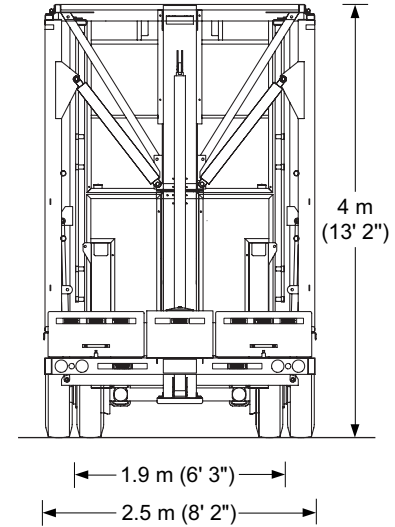
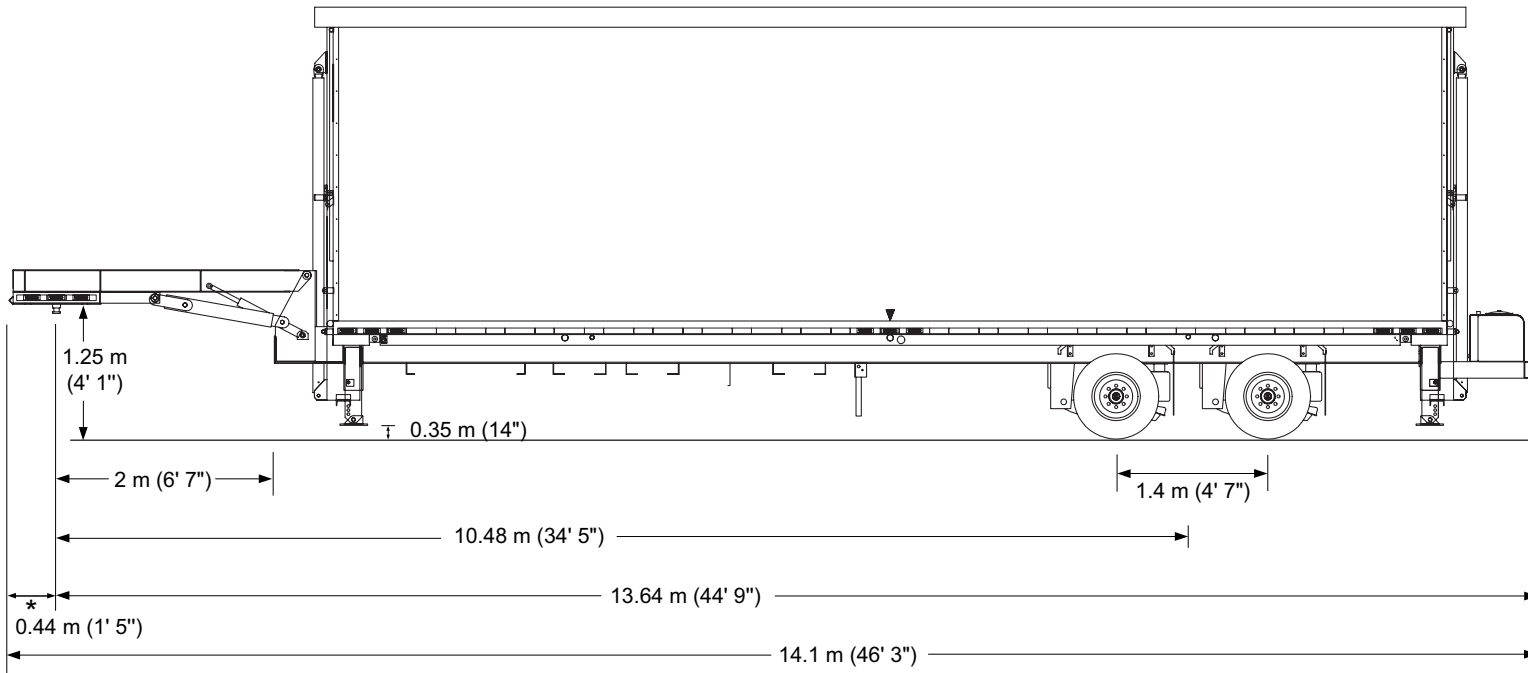




700 Marsolais Street
L'Assomption, Quebec
Canada J5W 2G9
Tel: (450) 589-1063
or 1-800-267-8243
Fax: (450) 589-1711
www.stageline.com
info@stageline.com

Stageline SL 250 NG



Mass	Unladen		Laden	
	Kg	Lbs	Kg	Lbs
Total Mass	13350	29400	16990	37400
Mass on Tandem	9850	21700	11420	25400
Allowable Load of Axle	15454	34000	15454	34000
Mass on Gooseneck	3500	7700	5440	12000

Mass & Dimensions

1. Mass may vary depending on options.
2. Technical specifications may change without notice.
3. Drawings are not to scale.

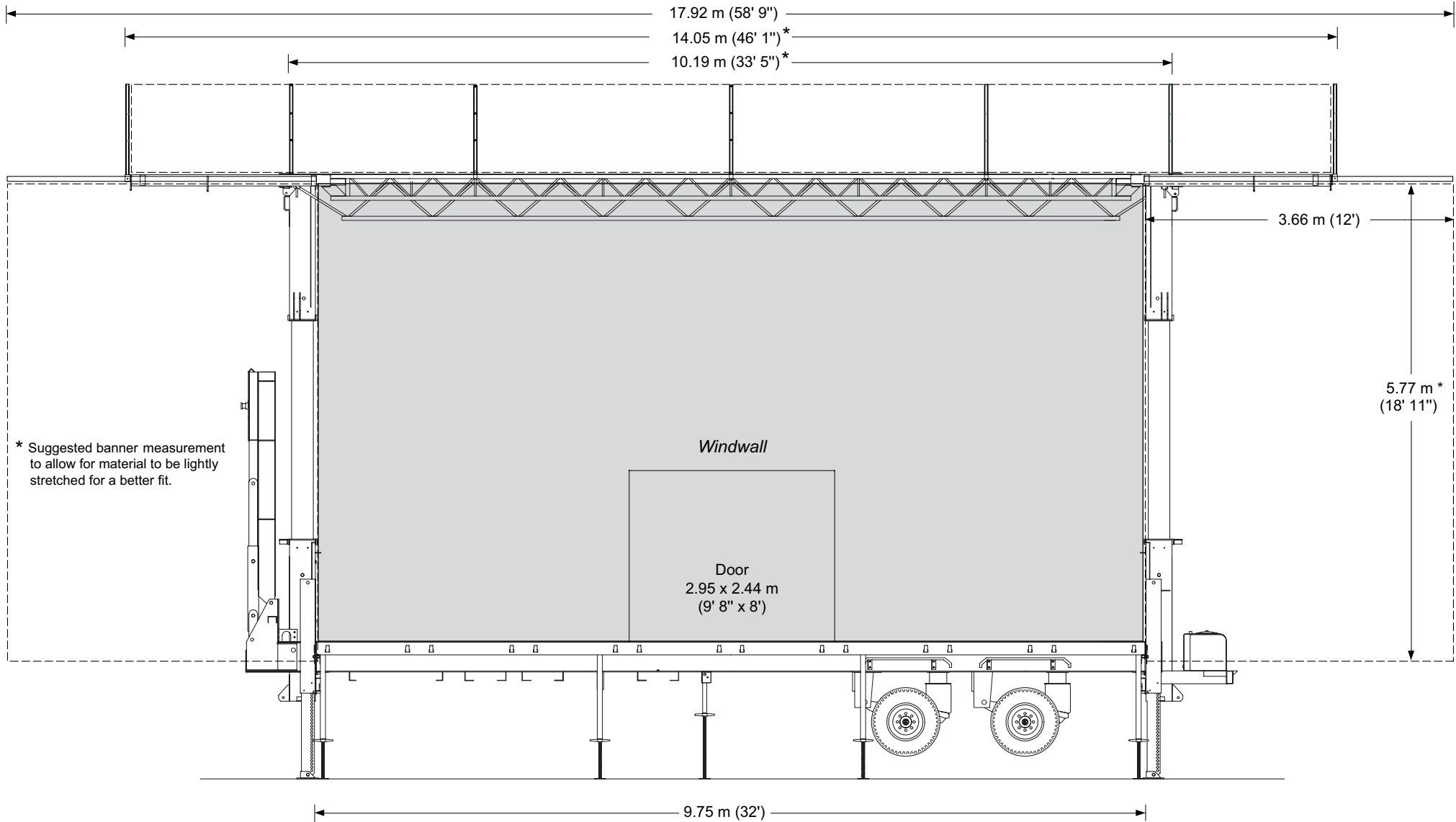
© 2004 - All rights reserved, Stageline Mobile Stage Inc®. Any and all forms of adaptation or reproduction of this document including plans and drawings found herein, in whole or in part, are strictly forbidden without the written authorisation of Stageline Mobile Stage Inc®.

Date: 2004-03-31
Ref. No.: S09-V-270-A
Revision 0



700 Marsolais Street
L'Assomption, Quebec
Canada J5W 2G9
Tel: (450) 589-1063
or 1-800-267-8243
Fax: (450) 589-1711
www.stageline.com
info@stageline.com

Stageline SL 250 NG

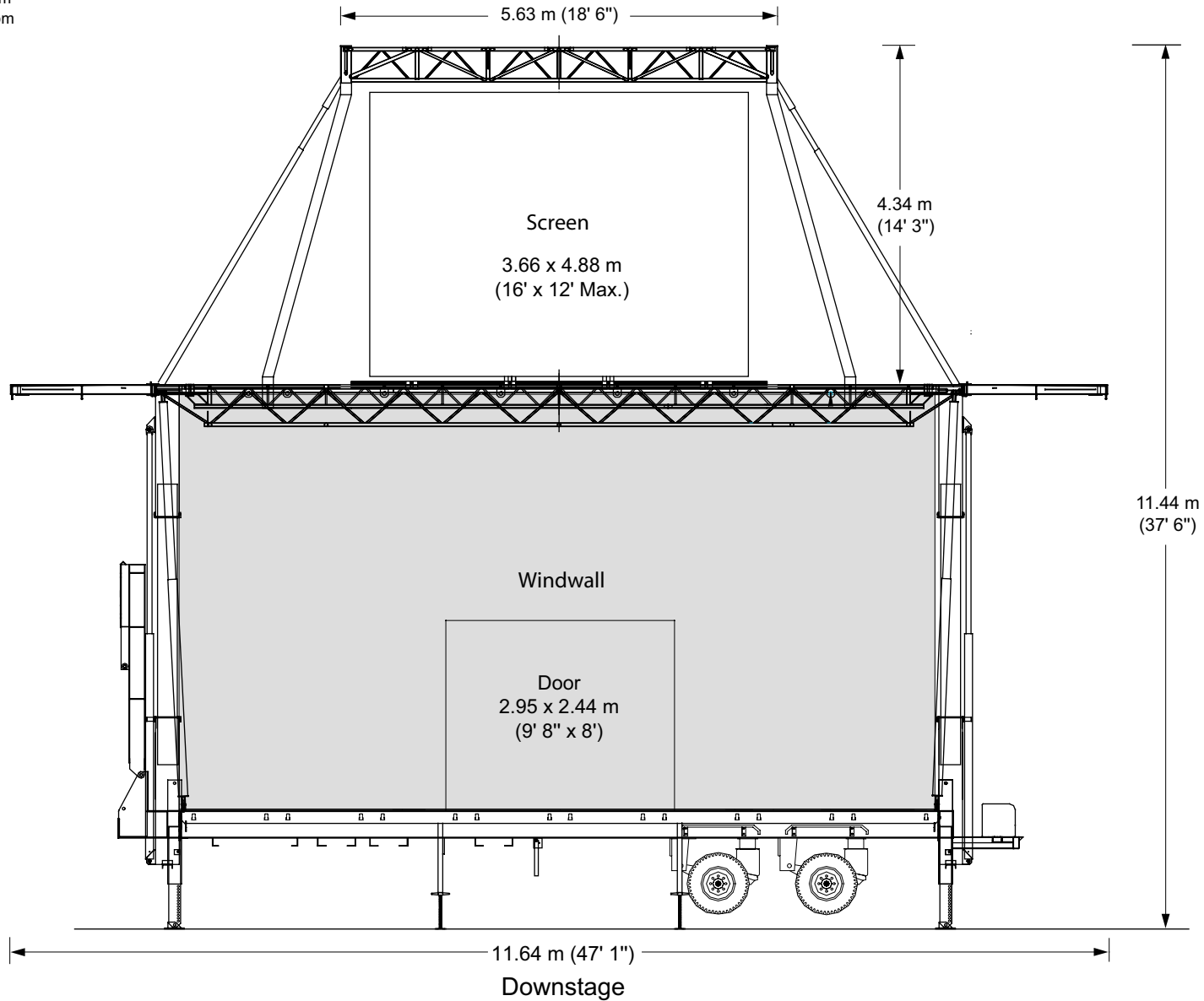


Front View w/ Windwall & Banner Supports



700 Marsolais Street
L'Assomption, Quebec
Canada J5W 2G9
Tel: (450) 589-1063
or 1-800-267-8243
Fax: (450) 589-1711
www.stageline.com
info@stageline.com

Stageline SL 250 NG

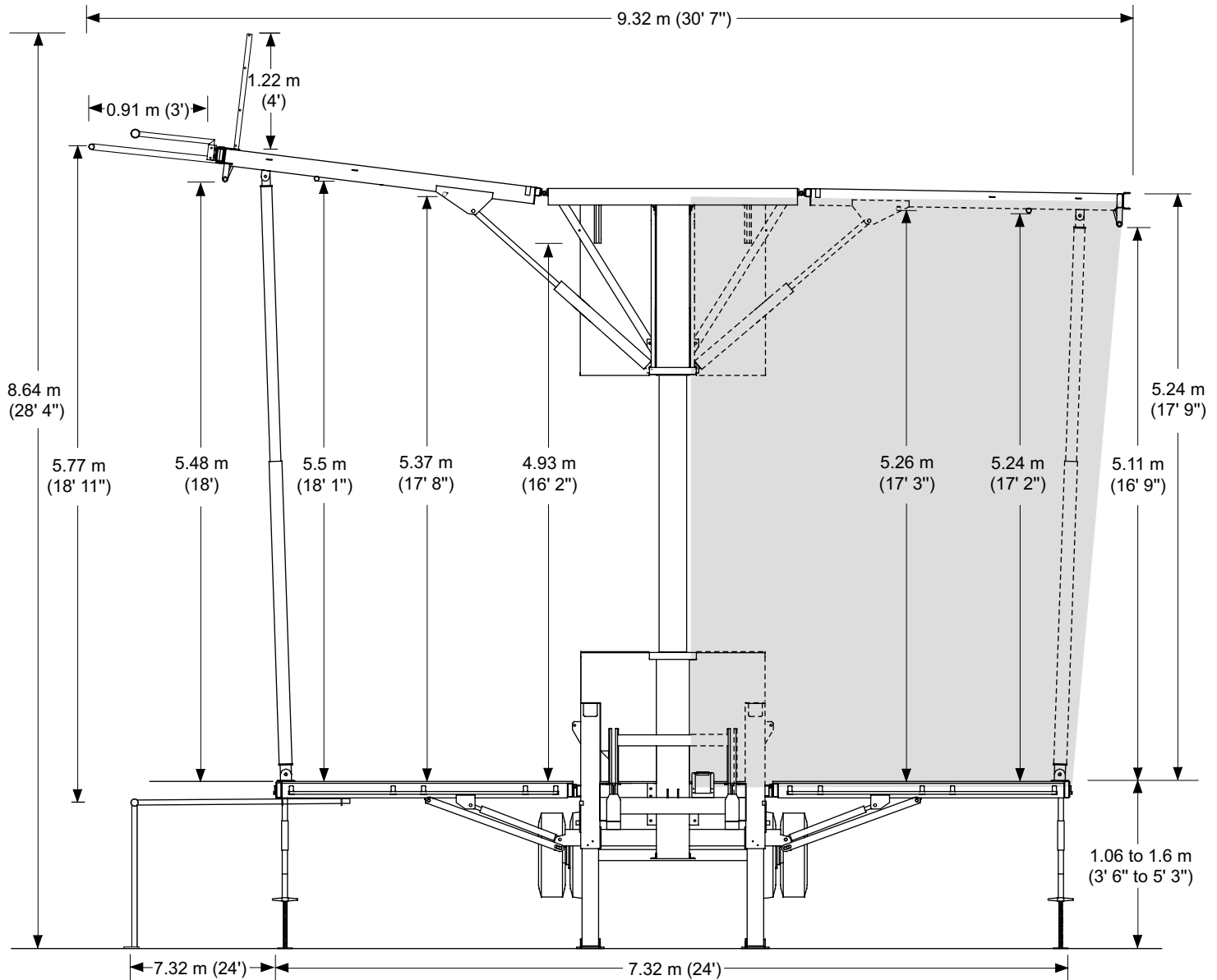


Front View with Screen Support



700 Marsolais Street
L'Assomption, Quebec
Canada J5W 2G9
Tel: (450) 589-1063
or 1-800-267-8243
Fax: (450) 589-1711
www.stageline.com
info@stageline.com

Stageline SL 250 NG

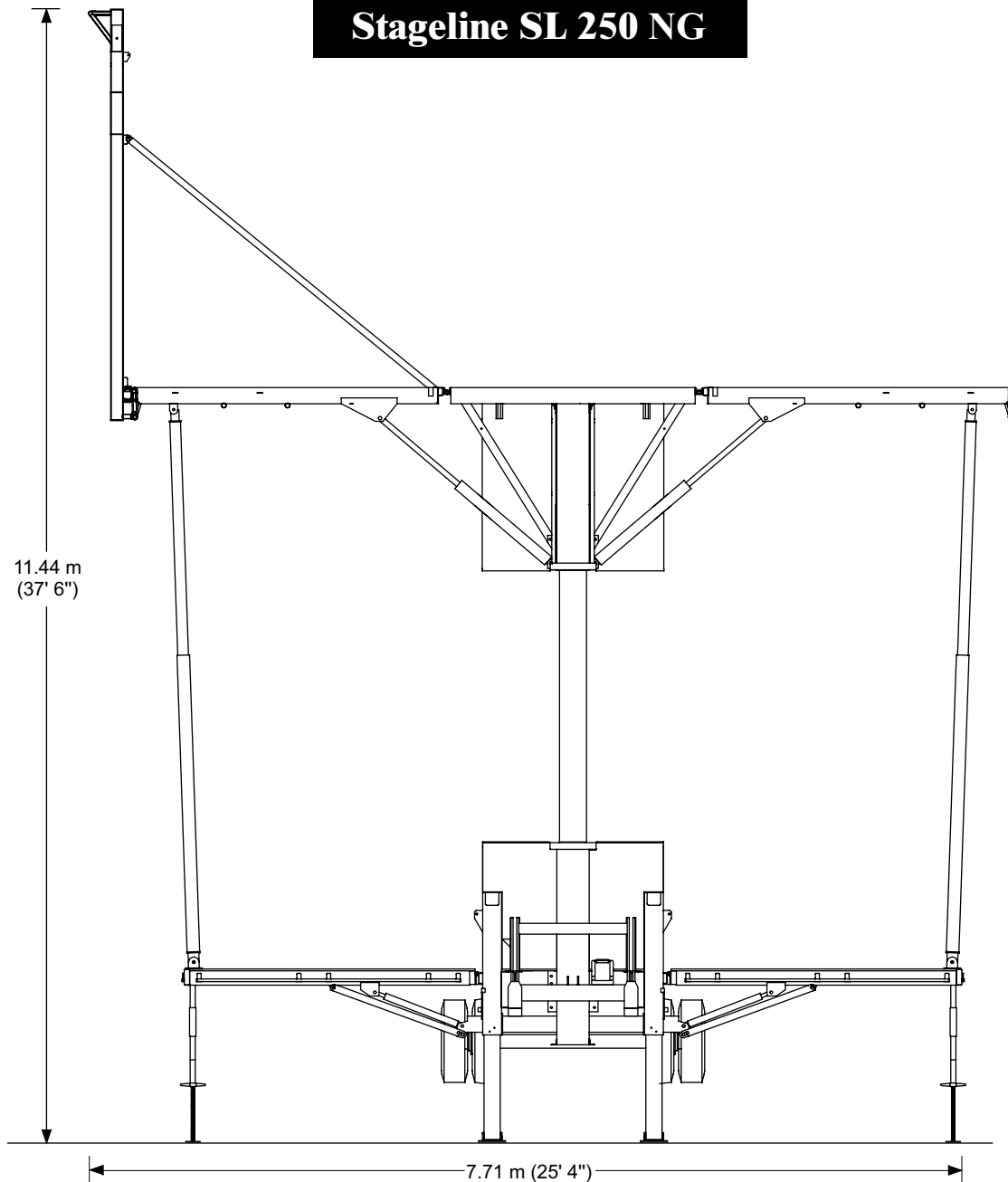


Side View with Banners & Windwall



® 700 Marsolais Street
L'Assomption, Quebec
Canada J5W 2G9
Tel: (450) 589-1063
or 1-800-267-8243
Fax: (450) 589-1711
www.stageline.com
info@stageline.com

Stageline SL 250 NG



Side View with Screen Support



700 Marsolais Street
L'Assomption, Quebec
Canada J5W 2G9
Tel: (450) 589-1063
or 1-800-267-8243
Fax: (450) 589-1711
www.stageline.com
info@stageline.com

Stageline SL 250 NG



Downstage

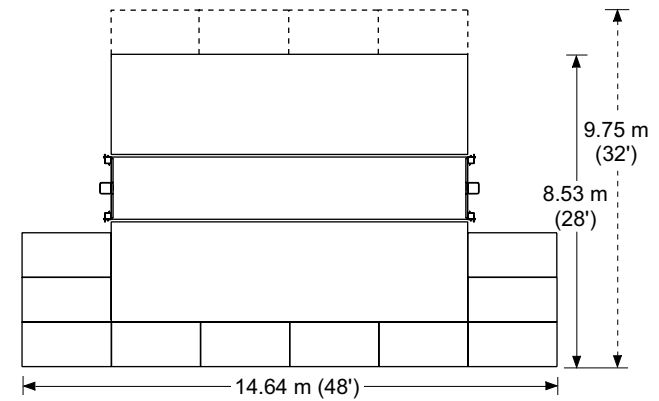
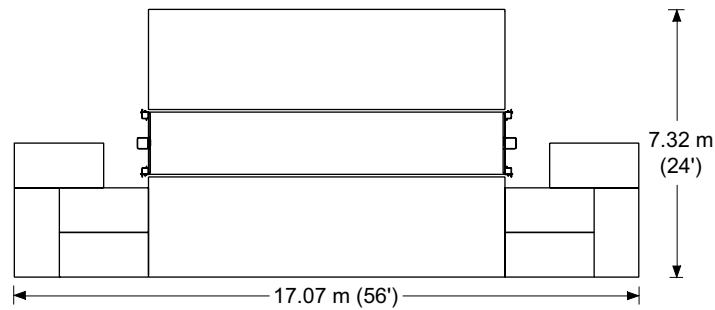
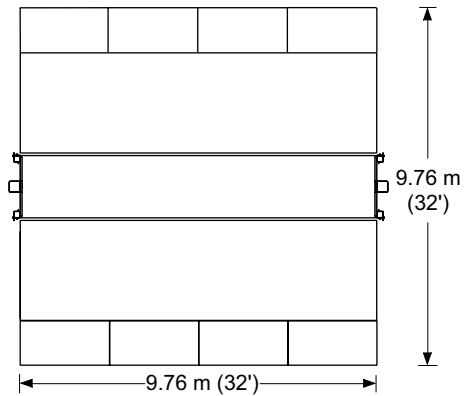
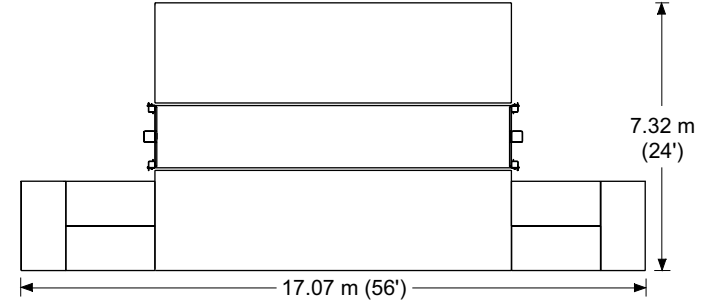
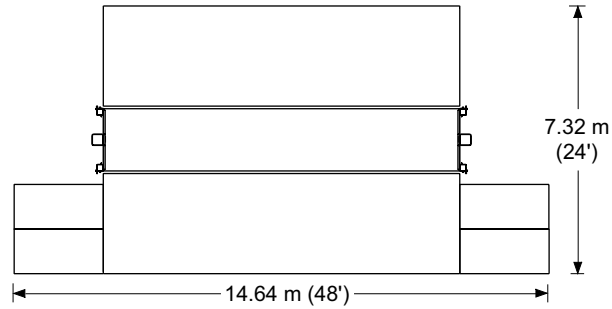
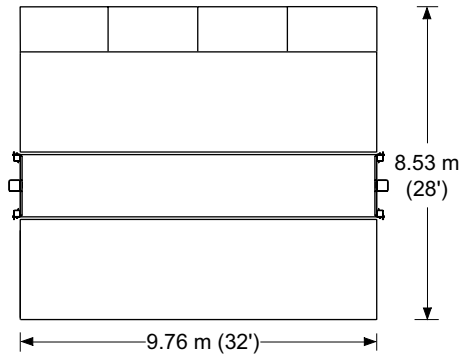
Capacity: 490 kg/m² (100 lbs/ft²)

Floor View



700 Marsolais Street
L'Assomption, Quebec
Canada J5W 2G9
Tel: (450) 589-1063
or 1-800-267-8243
Fax: (450) 589-1711
www.stageline.com
info@stageline.com

Stageline SL 250 NG



= 1.22 x 4.88 m (4' x 8')

N.B. One guardrail per 1.22 m (4')

Extension Platform Layouts

Stage specifications subject to change without notice. Figures are nominal.

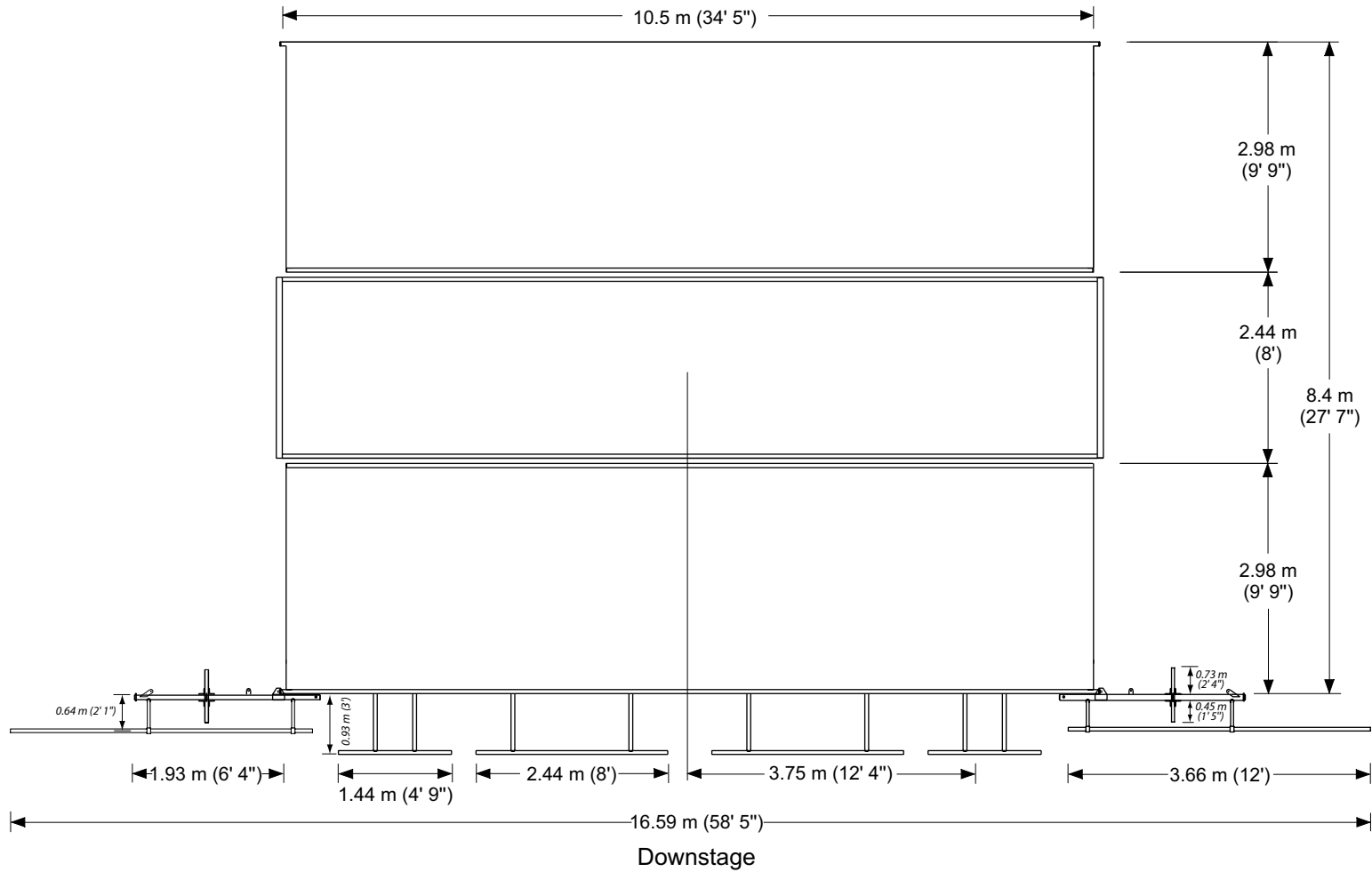
©2004- All rights reserved Stageline Mobile Stage inc[®]. Any and all forms of adaptation or reproduction of this document including plans and drawings found herein, in whole or in part, is strictly forbidden without the written authorisation of Stageline Mobile Stage.

Date: 2004-07-27
Ref. No.: D09-V-274-A
Revision 0



700 Marsolais Street
L'Assomption, Quebec
Canada J5W 2G9
Tel: (450) 589-1063
or 1-800-267-8243
Fax: (450) 589-1711
www.stageline.com
info@stageline.com

Stageline SL 250 NG

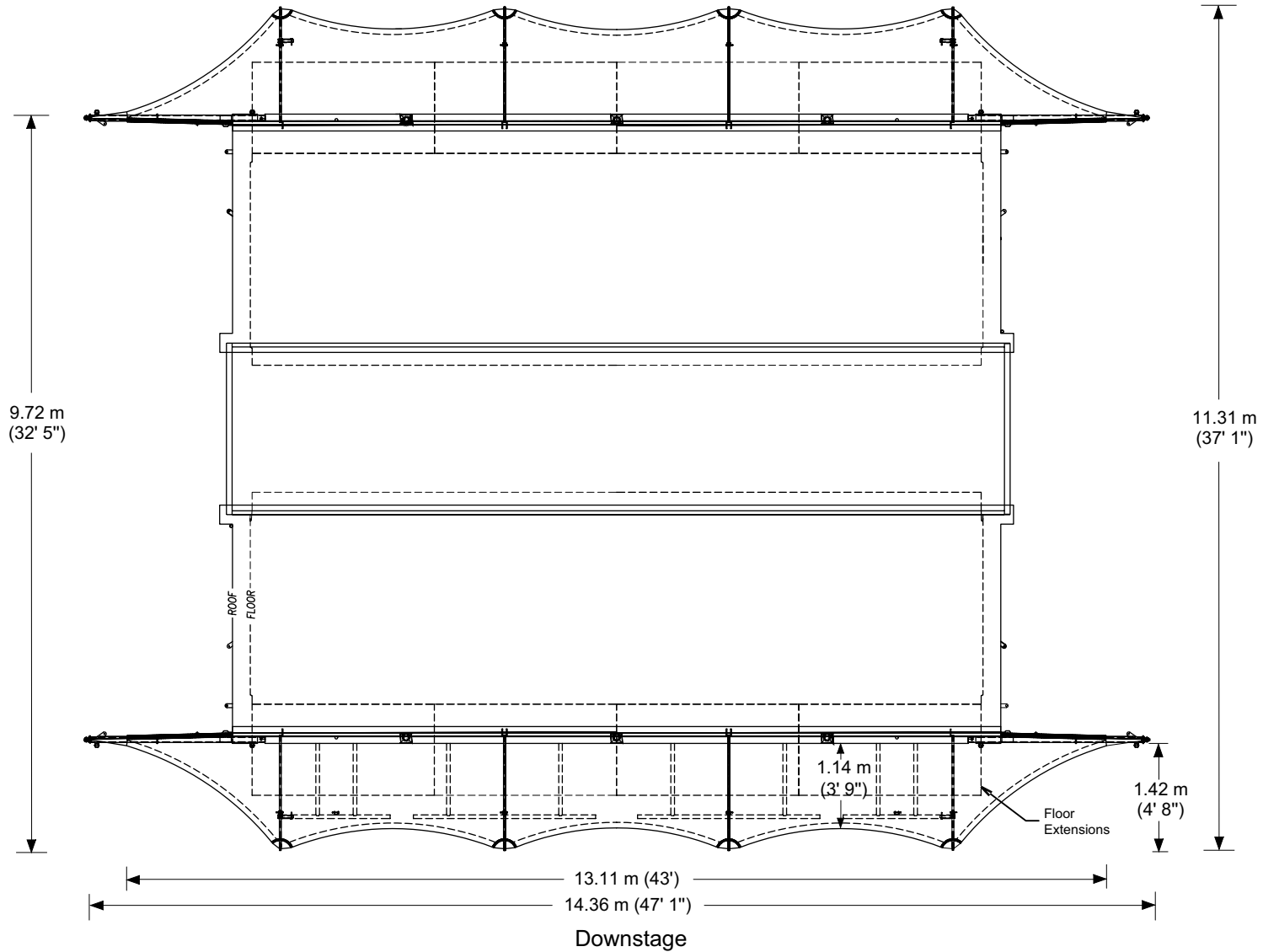


Roof View



700 Marsolais Street
L'Assomption, Quebec
Canada J5W 2G9
Tel: (450) 589-1063
or 1-800-267-8243
Fax: (450) 589-1711
www.stageline.com
info@stageline.com

Stageline SL 250 NG



Roof View with Canopies



700 Marsolais Street
L'Assomption, Quebec
Canada J5W 2G9
Tel: (450) 589-1063
or 1-800-267-8243
Fax: (450) 589-1711
www.stageline.com
info@stageline.com

Stageline SL 250 NG

A thorough understanding of the inter-related loadings shown in this rigging plan is needed in order to safely use this mobile stage roof and to take full advantage of the many rigging opportunities it offers.

This mobile stage roof offers a variety of rigging options with regard to load capacity, placement and type.

There are trusses, rigging pipes, front overhang rigging pipes, side overhang rigging beams, line array rigging beams and roof rigging points.

This rigging plan locates and defines these rigging features, includes load capacity for each and describes maximum combinations of loads amongst features.

Take note of exclusions, maximum sub-totals in a group, load balance requirements, maximum lifting capacity of roof and maximum rigging load on roof.

The maximum load on the roof is less than the sum of the maximum load on each rigging feature.

RIGGING RESTRICTIONS

Use both P1s, P2s, P3s, etc. or P10 alone or 45 kg/lin. m (30 lbs/lin. ft)

Total load of both P12s and both P13s must not exceed 454 kg (1000 lbs).

Load on each P12 must be concentrated.

Load on each P13 can be distributed or must be centred if only one clamp is used.

Total load of P14 to P17 at each side must not exceed 794 kg (1750 lbs) when banner is installed.

Total load of P14 to P17 at each side must not exceed 908 kg (2000 lbs) when banner support is **NOT** installed.

Total load on P14s: 680 kg (1500 lbs) and on P15s: 908 kg (2000 lbs)

Never use P17 concurrently with P14 or P15 at a given side.

Never use rigging pipes concurrently with P11s.

Do not load more than 45 kg/lin. m (30 lbs/lin. ft) per rigging pipes.

Maximum asymmetric load difference between downstage and upstage roofs must not exceed 1179 kg (2600 lbs).

Do not load downstage T1 when corner posts are in a 45° angle.

Notes:

Outside diameter of rigging bars and of lower chord of trusses is 5 cm (2").

Distance between rigging pipe and roof is 10 cm (4").

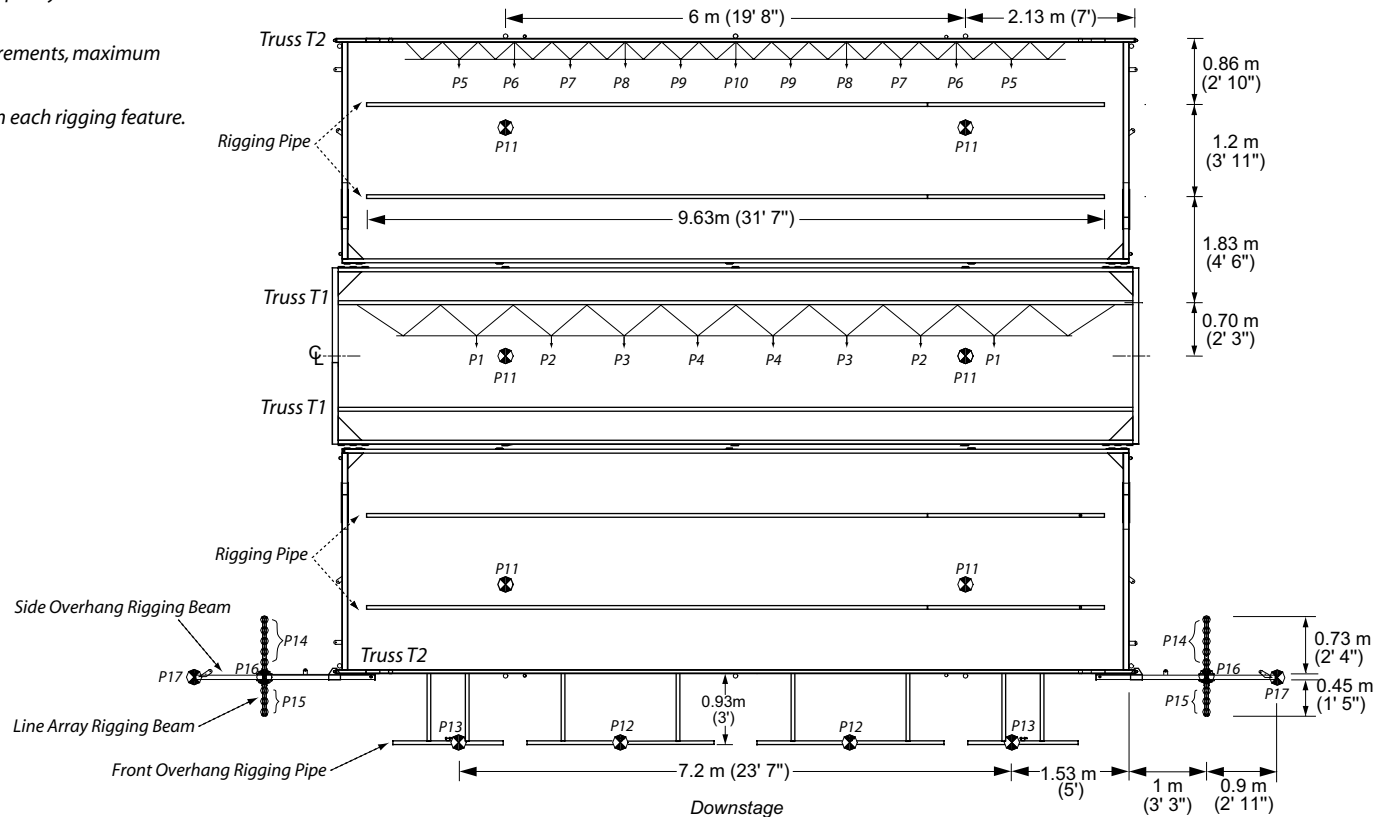
Distance between each lower chord node on T1 is 1 m (3' 4").

Distance between each lower chord node on T2 is 0.5m (1' 8").

Line array rigging beams are reversible.

Rigging Point Maximum Load Capacity

Point No.	Kg	Lbs
P15, P16 & P17	908	2000
P14	680	1500
P1, P5, P6 & P11	454	1000
P2 & P7	340	750
P3 & P8	272	600
P4, P9, P10 & P13	227	500
P12	159	350



MAXIMUM ROOF LIFTING CAPACITY: 3930 KG (8000 LBS)

MAXIMUM LOAD BEARING CAPACITY: 5443 KG (12000 LBS) *

*All corner posts must be installed and pinned.

Rigging Plan



700 Marsolais Street
L'Assomption, Quebec
Canada J5W 2G9
Tel: (450) 589-1063
or 1-800-267-8243
Fax: (450) 589-1711
www.stageline.com
info@stageline.com

Stageline SL 250

A thorough understanding of the inter-related loadings shown in this rigging plan is needed in order to safely use this mobile stage roof and to take full advantage of the many rigging opportunities it offers.

This mobile stage roof offers a variety of rigging options with regard to load capacity, placement and type.

There are trusses, rigging pipes, front overhang rigging pipes, side overhang rigging beams, line array rigging beams and roof rigging points.

This rigging plan locates and defines these rigging features, includes load capacity for each and describes maximum combinations of loads amongst features.

Take note of exclusions, maximum sub-totals in a group, load balance requirements, maximum lifting capacity of roof and maximum rigging load on roof.

The maximum load on the roof is less than the sum of the maximum load on each rigging feature.

RIGGING RESTRICTIONS

Use both P1s, P2s, P3s, etc. or P10 alone or load 45 kg per linear meter (30 lbs/lin. ft).

Use all P18s or both P19s.

Load on each P13 must be concentrated.

Never load downstage T2 when using screen support.

Total load of P14 to P17 at each side must not exceed 794 kg (1750 lbs) when banner support is installed.

Total load of P14 to P17 at each side must not exceed 908 kg (2000 lbs) when banner support is **NOT** installed.

Total load of both P12s and both P13s must not exceed 454 kg (1000 lbs).

Never use P17 concurrently with P14 or P15 at a given side.

Never use rigging pipes concurrently with P11s.

Do not load more than 45 kg/lin. m (30 lbs/lin. ft) per rigging pipes.

Maximum asymmetric load difference between downstage and upstage roof panels must not exceed 1179 kg (2600 lbs).

Never install downstage corner posts in a 45° angle when using screen support.

LIFTING RESTRICTIONS

Install screen support only once roof has been raised.

Notes:

Outside diameter of rigging bars and of lower chord of trusses is 5 cm (2").

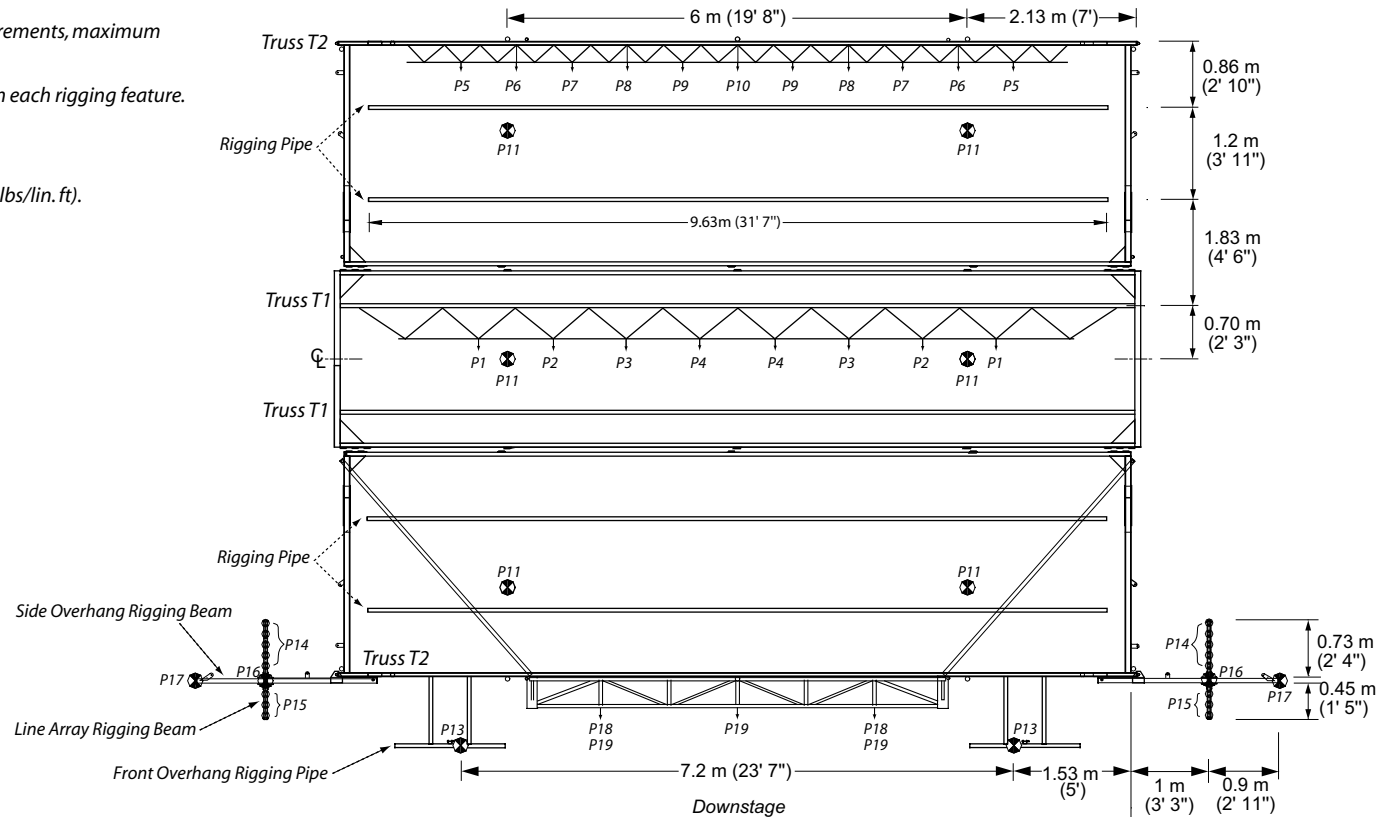
Distance between each lower chord node on T1 is 1m (3' 4").

Distance between each lower chord node on T2 is 0.5m (1' 8").

Distance between rigging pipe and roof is 10 cm (4").

Line array rigging beams are reversible.

Rigging Point Maximum Load Capacity		
Point No.	Kg	Lbs
P19	1020	2250
P15, P16 & P17	908	2000
P14 & P18	680	1500
P1, P5, P6 & P11	454	1000
P2 & P7	340	750
P3 & P8	272	600
P4, P9, P10 & P13	227	500
P12	159	350



MAXIMUM ROOF LIFTING CAPACITY: 3930 KG (8000 LBS)

MAXIMUM LOAD BEARING CAPACITY: 5443 KG (12000 LBS) *

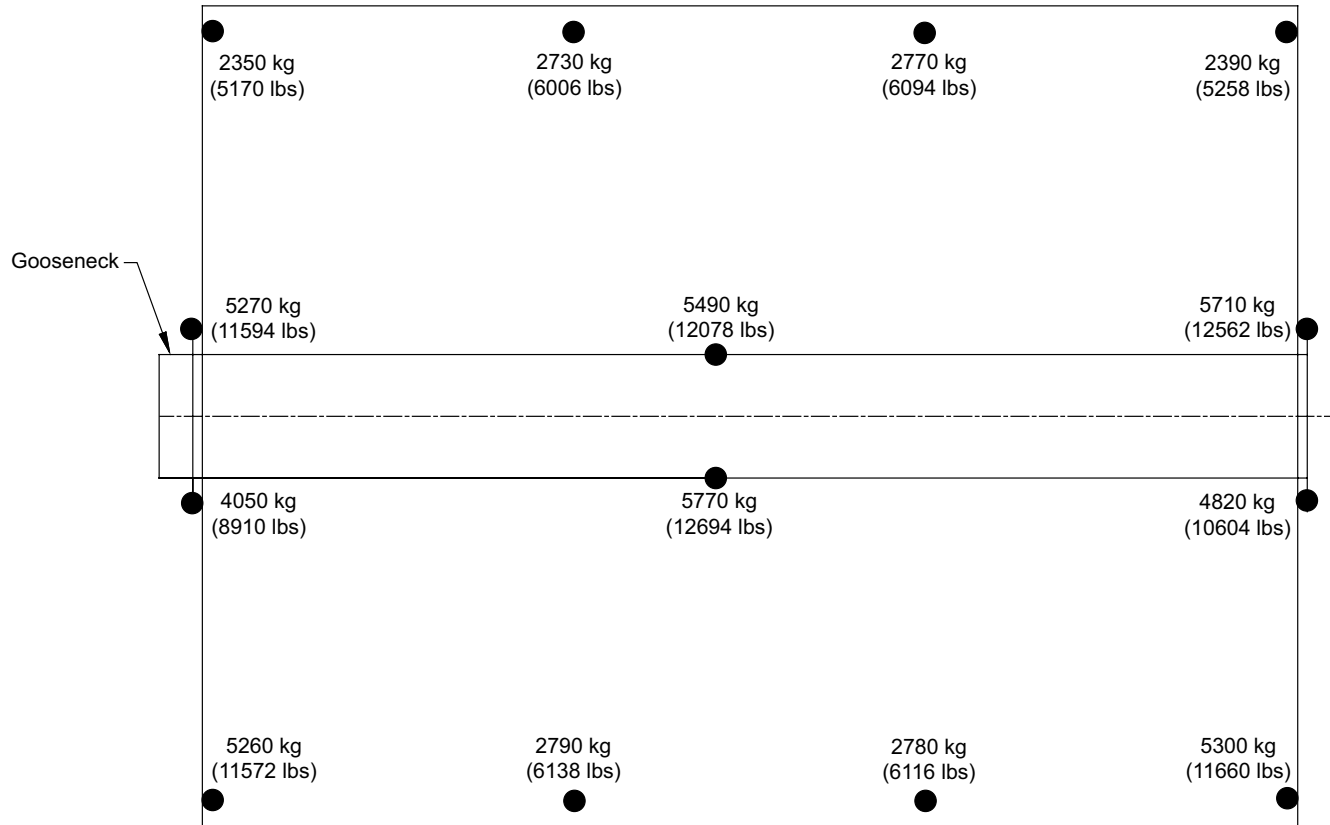
*All corner posts must be installed and pinned.

Rigging Plan with Screen Support



700 Marsolais Street
L'Assomption, Quebec
Canada J5W 2G9
Tel: (450) 589-1063
or 1-800-267-8243
Fax: (450) 589-1711
www.stageline.com
info@stageline.com

Stageline SL 250 NG



Ground Support Capacity